

## AnteRoom Door Frame Extension Kit: Assembly Instructions

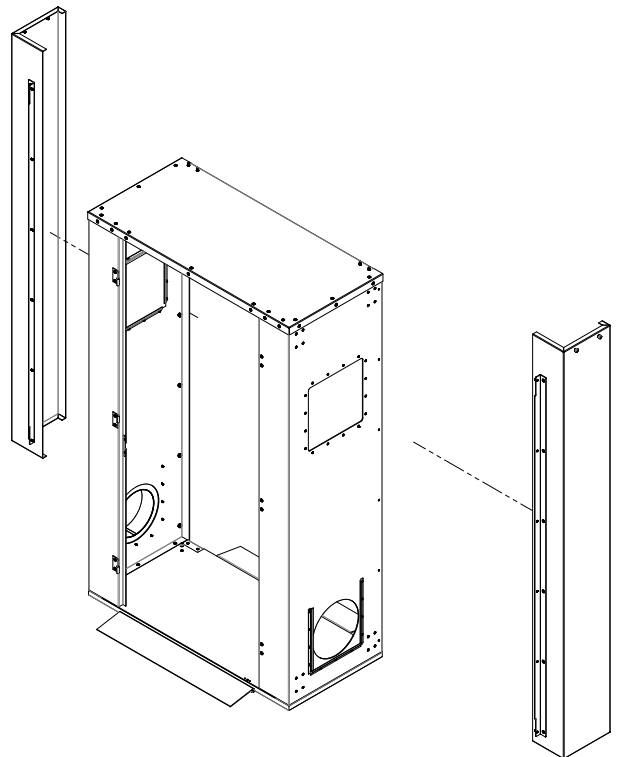
Installation is a one-man job that should be performed at the site where the AnteRoom is being used. For best results and the least mess, connect a Hepaforce Negative Air 1100, or similar Negative Air Machine, to the AnteRoom while replacing door frames. This kit is assembled entirely using hand fasteners.

**Tools Required: A step ladder that can reach the top of the unit.**

Item Number	Description	Quantity
1	Extension Roof	1
2	Extension left Wall	1
3	Extension Right Wall	1
4	1/4"-20 Knurled Head Thumb Nut	12
5	1/4"-20 x 3/4" Knurled Head Thumb Screws	8

### Connecting the Extension Walls

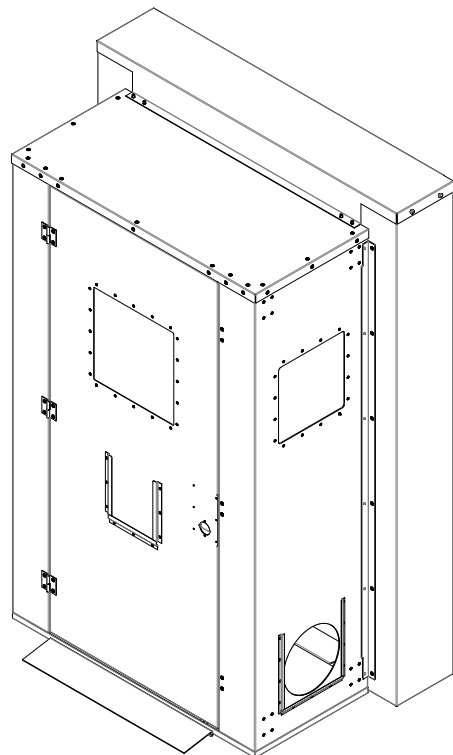
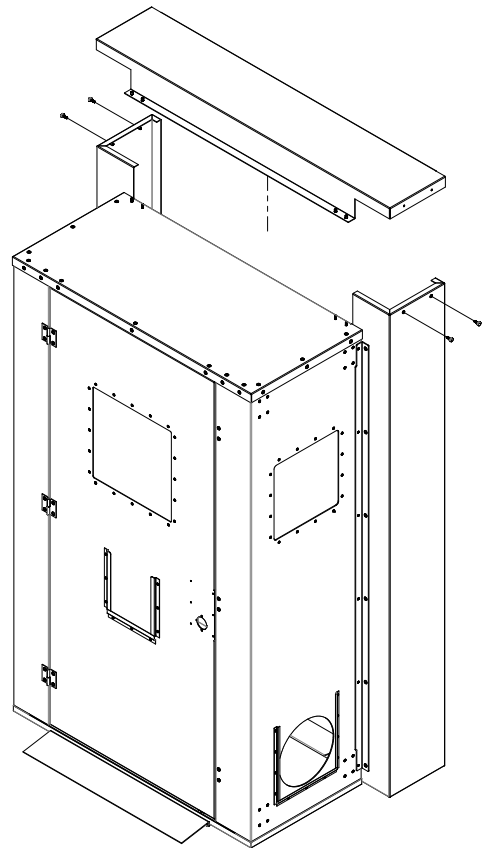
- Stand your AnteRoom upright, and position it so that the unit's magnetic strip end is about 2 feet away from the doorframe that you are replacing. For added floor protection, place a liner underneath the unit, like cardboard.
- Connect the Extension Walls to the AnteRoom using the attached Mounting Bracket. Insert the 6 threaded studs from each of the Mounting Brackets into the holes of the 48 AnteRoom.
- Standing inside the unit thread on, by hand, 12 Knurled Head Thumb Nuts. One nut should be placed on each threaded studs to fasten the Extension Walls to the AnteRoom.



## Mounting the Ceiling and Installation

---

4. Once the Extension Walls have been connected, place the Extension Roof over the top of the walls. The roof should fit into place with the flange side facing away from the wall.
5. Using 8 Thumb Screws, fasten down the ceiling from the inside and outside of the AnteRoom. Use a step ladder to reach the upper holes of the walls, as well as the 4 holes on top of the unit.
6. Once fully assembled, press the Extension against the wall surrounding the 48" door and check that there is a 4" gap, on all sides, between the door frame and the Extension's frame. Adjust placement until the unit is centered on the door frame.



For disassembly always remove the top panel first, and follow these steps in reverse order.

Assembly Complete! Please reach out to your area HEPACART representative for any questions or concerns. Thank you for purchasing an AnteRoom Door Frame Extension kit.