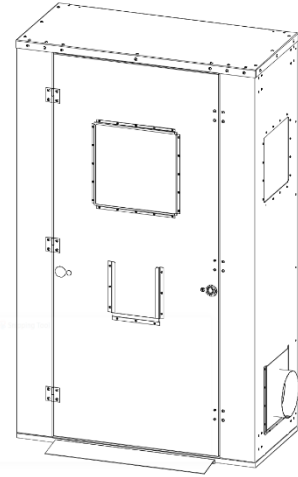


Safety, Operations, and Maintenance Manual

HEPACART® AnteRoom – Portable ante room US/Canada/Mexico

The HEPACART® AnteRoom protects patients during renovation, construction and maintenance projects. Isolating contagions during infections disease outbreaks.

HEPACART® AnteRoom		
AR36	AR48	ARDD



READ AND SAVE THESE INSTRUCTIONS

SAFETY INSTRUCTIONS



WARNING! Electric shock hazard. Unit must be grounded. To reduce risk of electric shock do not expose to water or rain. Unplug unit prior to service or cleaning.

- Do not exceed maximum receptacle load as labeled.
- Do not use electrical outlet or power tools that are wet or have been exposed to water.
- Inspect the power inlet prior to use. If inlet or electrical box are damaged, do not use. Always grasp the plug (not the cord) to unplug.
- Use only with a matching extension cord and grounded outlet. Do Not remove third prong. Do not use with adapter.

Use the equipment in conjunction with on-site safety protocols and regulations. Always inspect work area for hazards and be aware of your surroundings.

- Confirm work site regulations before use
- Always use swivel locks when moving the unit with only one person.

- Notify bystanders when using unit in crowded areas.
- Keep away from open flame appliances such as gas or propane water heaters, furnaces, etc. Pressure differences could blow out flame or backdraft combustion products.
- Do not operate unit or power tools inside of the unit in the presence of flammable liquids, gasses, or other flammable environments.

Prior to use always inspect AnteRoom for damage. Inspect feet, door, magnetic seal, and casters. Stay alert and use caution, avoid unnecessary risks at all times.

- Do not use while under the influence of drugs, alcohol, or medication.
- Wear appropriate attire for work being performed in accordance with company and facility protocols.
- Keep the work area in the AnteRoom clean and adequately lit at all times.
- Wear proper personal protection equipment as required.
- Ensure all (4) four feet are down and floor is level before entering the AnteRoom.
- Always follow provided operation manual and instructions.

USAGE AND CARE

This appliance is not intended for use by persons (including children) with reduced physical, sensory or mental capabilities, or lack of experience and knowledge, unless they have been given supervision or instructions concerning the use of the appliance by a person responsible for their safety.

Children should be supervised to ensure that they do not play with the appliance.

- When using in conjunction with a stand-alone HEPA-filtered negative air machine. Inspect and change the pre-filter at regular intervals (weekly, monthly, quarterly), depending on usage and application.

Window Care: Only use polycarbonate compatible cleaning agents to clean the windows on the HEPACART® AnteRoom.

Hard Sided Enclosure Care: Any hydrogen peroxide-based healthcare cleaning solutions can be used to clean and disinfect the mobile containment unit.

Do not use abrasive or highly alkaline products, scrape walls with squeegees, razor blades, or other sharp instruments. Do not clean while booth temperature is elevated or when a high percentage of humidity exists.

If scratching should occur, minor abrasions can be removed or minimized by using a mild automotive polish. Examples include Johnson Paste Wax, Mirror Glaze Plastic Polish, Plexus, and Novus Plastic Polish #1 and #2. Always test the chosen product on a small area before overall use.

TROUBLESHOOTING

FAULT	CAUSE	SOLUTION
Unit does not operate	GFCI Tripped (red light on receptacle)	Firmly press "RESET" button on GFCI receptacle.
	No Power (no light on GFCI receptacle)	Make sure unit is plugged in. Check for power at outlet
Lighting Does Not Work	No Power	Plug in lighting power supply.
		Check GFCI for fault condition

*For problems not listed in this table reach out to your HEPACART® sales representative for assistance.

STORAGE AND TRANSPORTATION

Always use care when transporting the HEPACART® AnteRoom. Take care when passing through doorways.

- When transporting on uncovered trucks take care not to expose to moisture.
- Do not store outdoors.
- Use care when loading and unloading from trucks. Use of a liftgate is recommended.

CUSTOMER RECORD

The model and serial numbers of this product are located on a blue and white sticker located in the upper right corner on the inside of the unit. Complete the warranty activation upon receiving the Warranty Activation Email. Also, note the model and serial numbers of your unit in the space provided below. Retain this book as a permanent record of your purchase.

Model Number: _____

Serial Number: _____

Date Purchased: _____

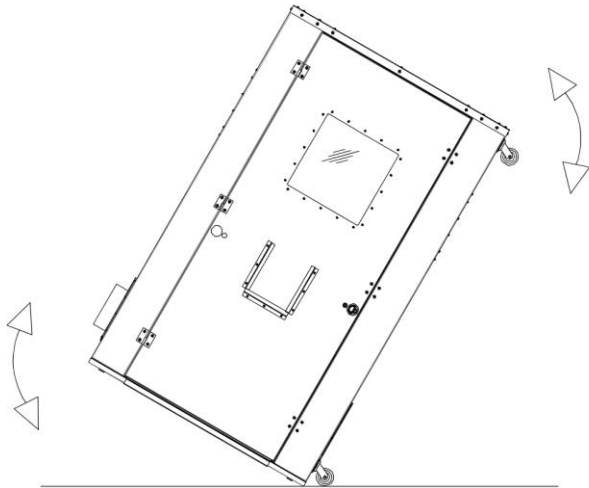
If you wish to have an electronic copy of these instructions please contact HEPACART, Inc. Infection Control Technologies at 913-789-9590 or at info@HEPACART.com or online at www.hepacart.com Please have your model number and serial number ready for any correspondence.

Thank you for purchasing a HEPACART® AnteRoom. Using the product correctly and safely can significantly reduce dust and pathogen contamination to high-risk areas. Use of your HEPACART® AnteRoom as prescribed by this manual will provide many years of portable dust containment.

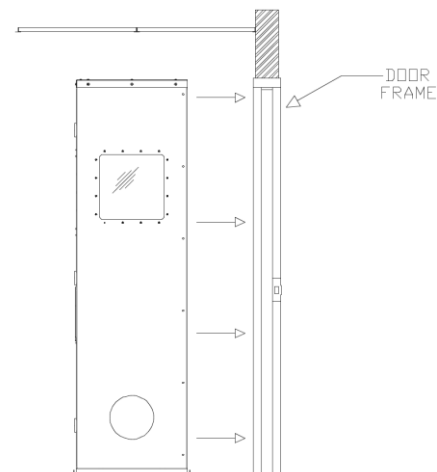
SEQUENCE OF OPERATIONS

Setup

1. Position HEPACART® AnteRoom into place in front of the room to be isolated with the unit in a vertical position. Take care when rotating unit from horizontal to vertical orientation. Watch for ceiling clearance and for ceiling mounted devices such as signs, sprinkler heads, etc.



2. Once vertical attach any HEPACART® AnteRoom extenders or reducers as required to accommodate the door frame. See the chart on page 4 below.
3. Maneuver the HEPACART® AnteRoom towards the opening such that the magnetic back is aligned with the door frame. Once the unit is close enough the magnets will attach the HEPACART® AnteRoom tightly to the door frame.



4. In each of the (4) four corners of the floor there are (4) four floor levelers. Turn these clockwise or counter-clockwise to provide even pressure on the floor.
 - a. HCAR36 models have two stabilizer brackets that should be attached and lowered to the floor at this time.
 - b. Attach both ramps to the HEPACART® AnteRoom.
5. Decide which side of the HEPACART® AnteRoom you would like to attach the negative air machine flex hose and slide the duct adapter into place.
 - a. Slide the shut-off plate into the opposite side to seal opening.
6. Attach negative air machine (sold separately) to HEPACART® AnteRoom using flex hose and clamps.
7. Turn on negative air machine (sold separately) and set to the desired speed.
8. The HEPACART® AnteRoom is now ready for use as an isolated vestibule.

Takedown

1. Once project is complete. Clean the HEPACART® AnteRoom thoroughly.
 - a. Vacuum up debris.
 - b. Wipe down all surfaces.
2. Turn off the negative air machine and detach flex hose from the AnteRoom duct adapter.
 - a. For HCAR36 models remove stabilizer brackets at this time.
3. Gently pull HEPACART® AnteRoom away from the door frame until magnetic seal is disengaged.
4. Remove extenders and reducers.
 - a. If the AnteRoom is being moved to a similar doorway nearby extenders and reducers can remain in place.
5. Using the HEPACART® AnteRoom Mobility kit or a wheeled platform, tilt the AnteRoom to the horizontal position so it can be wheeled to the next location. Take care when rotating unit from horizontal to vertical orientation. Watch for ceiling clearance and for ceiling mounted devices such as signs, sprinkler heads, etc.
6. Move HEPACART® AnteRoom to the next location and repeat setup.

SPECIFICATIONS

All HEPACART® AnteRoom portable AnteRoom products are designed to provide a quick and easy way to put up temporary isolation on an existing door frame.

- Fully boxed aluminum frame and unibody side panel design.
- Premium door package with lock and key, polycarbonate window, and work order/permit holder.
- Ceiling mounted LED lighting package including.
- (2) two dust connection ports.
- Reversible door and hardware to change swing to best fit site conditions.
- Entry and Exit ramps.
- Duplex 120v receptacle with GFCI protection.
- Mini magnehelic pressure gauge visible from the exterior.

HEPACART® US AnteRoom Models			
Model	AR36	AR48	ARDD
Weight	150 lbs [68 kg]	160 lbs [72.5 kg]	160 lbs [72.5 kg]
Dimensions	39.5 x 24 x 85.5 in. [1000 x 610 x 2170 mm.]	51.5 x 24 x 85.5 in. [1310 x 610 x 2170 mm.]	51.5 x 24 x 85.5 in. [1310 x 610 x 2170 mm.]
Opening Dimensions	34.5 x 81.5 in [880 x 2070 mm]		43 x 81.5 in [1092 x 2070 mm]
Door Dimensions	35.75 x 82 in [908 x 2083 mm]		35.75 x 82 in [908 x 2083 mm] AND 9.0 x 82 in [230 x 2083 mm]
Receptacle Rating	120v 60hz 12 amps		
Construction	Aluminum		

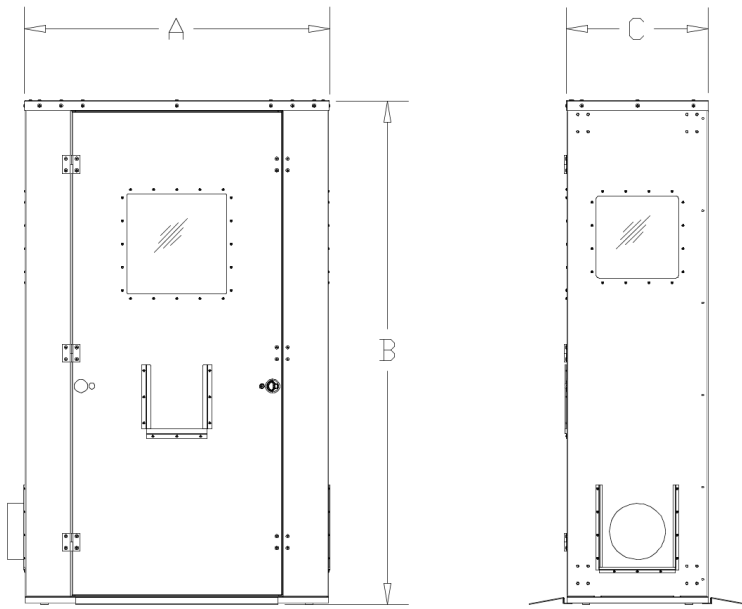
*Specifications are subject to change without notice

AnteRoom Size Chart				
Model	Door Size (in.[mm])	Frame Size(in.[mm])	Adapter (in.[mm])	Adapter Model No. (Qty.)
AR48/ARDD	36 [915]	40 [1020]	12 [305] ²	HCAR4818-6RR and HCAR4818-6LR
	42 [1066]	46 [1168]	6 [155] ²	HCAR4818-6RR or HCAR4818-6LR
	44 [1120]	48 [1220]	4 [100] ²	HCAR4818-2RR and HCAR4818-2LR
	46 [1168]	50 [1270]	2 [50] ²	HCAR4818-2RR or HCAR4818-2LR
	48 [1220]	52 [1320]	None	Standard Size
	52 [1320]	56 [1420]	5 [125] ¹	HCAR4818-5E
	55.5 [1320]	59.5 [1420]	8.5 [125] ¹	HCAR4818-8.5E
	58 [1473]	62 [1575]	10 [254] ¹	HCAR4818-10E
AR36	60 [1524]	64 [1626]	12 [305] ¹	HCAR4818-12E
	36 [915]	40 [1020]	None	Standard Size
	42 [1066]	46 [1168]	6 [155] ¹	HCAR3618-6E
	44 [1120]	48 [1220]	8 [203] ¹	HCAR3618-8E
	48 [1220]	52 [1320]	12 [305] ¹	HCAR3618-12E

1. Extender adapter

2. Reducer adapter

DIMMENSIONS



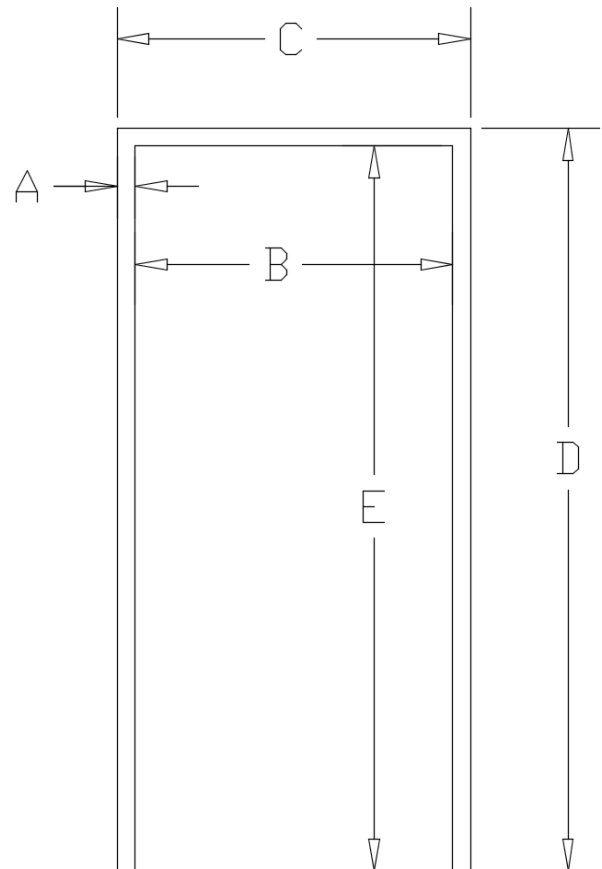
	AR36	AR48
A	39.5 in [1000mm]	51.5 in [1310mm]
B	85.5 in [2170mm]	85.5 in [2170mm]
C	24 in [610mm]	24 in [610mm]

AnteRoom 48 Model Pictured

	DESCRIPTION	MEASUREMENT
A	DOOR FRAME WIDTH	
B	INSIDE OF FRAME	
C	OUTSIDE OF FRAME	
D	TO TOP OF FRAME	
E	TO BOTTOM OF FRAME	

*These dimensions are important information to have when ordering a HEPACART AnteRoom. Record these dimensions for each opening and your HEPACART representative can help select the correct expanders/reducers for your project.

DOOR SWING DIRECTION	



Door frame key dimensions

REPLACEMENT AND REPAIR PARTS

Replacement Parts	
AnteRoom Shut-off Plate	HCAR-SOP
(2) AnteRoom Ramps	HCAR-R
(2) AnteRoom Ramps ARDD	ARDD-R
AnteRoom Mobility Kit	ARSC4
AnteRoom Key Pad Lock	RKPHS
AnteRoom SFIC Handle	RSFIC
AnteRoom Replacement Door with Keypad Lock	HCAR-RDKCA
AnteRoom Replacement Door with SFIC Handle	HCAR-RDSFIC
Accessories (AR36)	
AnteRoom 36 12" Expansion	HCAR3618-12EXP
AnteRoom 36 24" Expansion	HCAR3618-24EXP
AnteRoom 36 Magnetic Extender – 6"	HCAR3618-6E
AnteRoom 36 Magnetic Extender – 8"	HCAR3618-8E
AnteRoom 36 Magnetic Extender – 12"	HCAR3618-12E
AnteRoom 36 Magnetic Extender – 16"	HCAR3618-16E

Accessories (AR48/ARDD)	
AnteRoom 48 12" Expansion	HCAR4818-12EXP
AnteRoom 48 24" Expansion	HCAR4818-24EXP
AnteRoom 48 Magnetic Extender – 5"	HCAR4818-5E
AnteRoom 48 Magnetic Extender – 8.5"	HCAR4818-8.5E
AnteRoom 48 Magnetic Extender – 10"	HCAR4818-10E
AnteRoom 48 Magnetic Extender – 12"	HCAR4818-12E
AnteRoom 48 Magnetic Extender – 18"	HCAR4818-18E
AnteRoom 48 Magnetic Extender – 20"	HCAR4818-20E
AnteRoom 48 Magnetic Height Extender – 10"	HCAR4818-10HE
AnteRoom 48 Magnetic Height Extender – 12"	HCAR4818-12HE
AnteRoom 48 Magnetic Right-Hand Reducer – 2"	HCAR4818-2RR
AnteRoom 48 Magnetic Left-Hand Reducer – 2"	HCAR4818-2LR
AnteRoom 48 Magnetic Right-Hand Reducer – 6"	HCAR4818-6RR
AnteRoom 48 Magnetic Left-Hand Reducer – 6"	HCAR4818-6LR
AnteRoom 48 Magnetic Height Reducer – 3.5"	HCAR4818-3.5HR
AnteRoom 48 Magnetic Height Reducer – 4"	HCAR4818-4HR

*Contact your HEPACART® sales representative with any questions regarding replacement parts or repair parts.