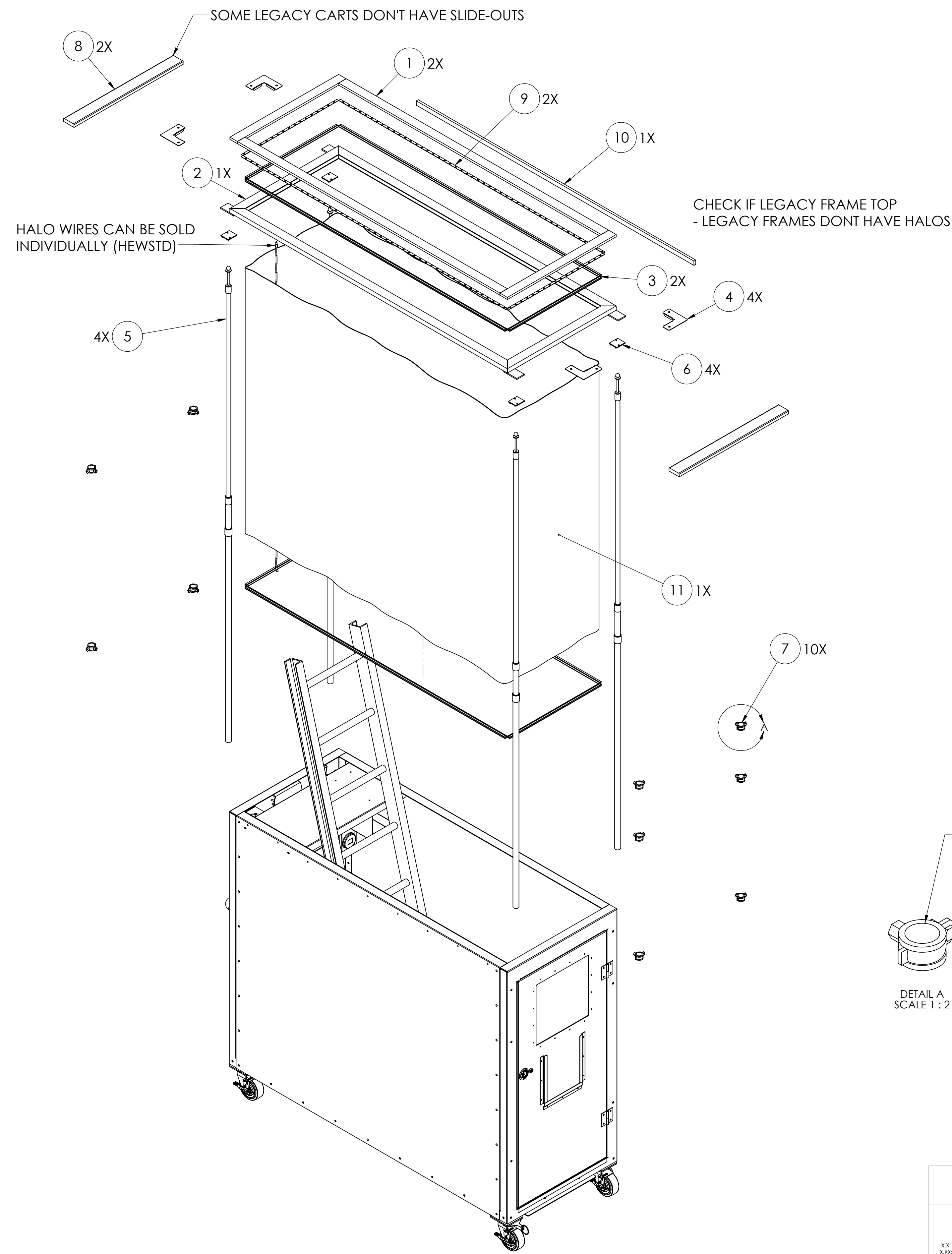


HC55U REPLACEMENT PARTS (55X29)		
PART	DESCRIPTION	CATALOG NUMBER
1	CEILING FRAME FOAM	CFFHC55U
2	UPPER ENCLOSURE FRAME	UCF55U18
3	ENCLOSURE CLAMPING MATERIALS	ECMHC55U
4	ENCLOSURE BRACKETS	EB
5	EXTENSION POLE	EP
6	POLE RETAINER SOCKET	PRC
7	POLE CLAMPS UNIBODY V2	PCV2
8	SLIDE OUT ENCLOSER	SOCO
9	LED REPLACEMENT STRIPS	LED-RS55
10	SLIDE OUT FOAM	CFFS
11	CURTAIN OPTION	SEE CURTAIN OPTIONS

HC74U REPLACEMENT PARTS (74X29)		
PART	DESCRIPTION	CATALOG NUMBER
1	CEILING FRAME FOAM	CFFHC74U
2	UPPER ENCLOSURE FRAME	UCF74U18
3	ENCLOSURE CLAMPING MATERIALS	ECMHC74U
4	ENCLOSURE BRACKETS	EB
5	EXTENSION POLE	EP
6	POLE RETAINER SOCKET	PRC
7	POLE CLAMPS UNIBODY V2	PCV2
8	SLIDE OUT ENCLOSER	SOCO
9	LED REPLACEMENT STRIPS	LED-RS74
10	SLIDE OUT FOAM	CFFS
11	CURTAIN OPTION	SEE CURTAIN OPTIONS

HC74UX REPLACEMENT PARTS (74X39)		
PART	DESCRIPTION	CATALOG NUMBER
1	CEILING FRAME FOAM	CFFHC74UX
2	UPPER ENCLOSURE FRAME	UCF74UX18
3	ENCLOSURE CLAMPING MATERIALS	ECMHC74UX
4	ENCLOSURE BRACKETS	EB
5	EXTENSION POLE	EP
6	POLE RETAINER SOCKET	PRC
7	POLE CLAMPS UNIBODY V2	PCV2
8	SLIDE OUT ENCLOSER	SOCO
9	LED REPLACEMENT STRIPS	LED-RS74X
10	SLIDE OUT FOAM	CFFS
11	CURTAIN OPTION	SEE CURTAIN OPTIONS



REVISIONS			
ZONE	REV.	DESCRIPTION	DATE
	A	1. VERSION 2021.1 - NEW RELEASE	4/26/2021
	B	1. VERSION 2022.1 - UPDATED SKUS TO MATCH CHANGES IN HUBSPOT	4/15/2022

POLE CLAMPS OPTIONS		
VERSION	CATALOG NUMBER	USED ON
V1	PCV1	LEGACY FRAME CARTS
V2	PCV2	STANDARD CLAMPS
V3	PCV3	STANDARD CLAMP WITH REINFORCED STUD (UPGRADED V1)

HEPACART
INFILTRATION CONTROL TECHNOLOGIES

UNLESS OTHERWISE SPECIFIED DIMENSIONS ARE IN INCHES DIMENSIONS IN () ARE MM TOLERANCE ON DIMENSIONS:
 IN SHEETMETAL: .XX: ± 0.060 FEATURES FROM BEND: .XX: ± 1.5 .XX: ± 0.030 .XXX: ± 0.75 .XXX: ± 0.25 FRACTIONAL: 1/16 ANGLE: ± 1°
 FINISH: UNLESS OTHERWISE SPECIFIED

PROPRIETARY AND CONFIDENTIAL THE INFORMATION CONTAINED IN THIS DRAWING IS THE SOLE PROPERTY OF HEPACART INC. ANY REPRODUCTION IN PART OR AS A WHOLE WITHOUT THE WRITTEN PERMISSION OF HEPACART INC IS PROHIBITED.

INTERPRET GEOMETRIC TOLERANCING PER: ASME Y14.5 MATERIAL FINISH

DESCRIPTION: HEPACART UPPER ENCLOSURE REPLACEMENT

NAME	DATE	TITLE:
JAKECHAPP	4/26/2021	REPLACEMENT CHART
DRAWN	CHECKED	ENG APPR.
MEG APPR.	G.A.	

SIZE DWG. NO. REV
D - B

SCALE: 1:1 WEIGHT: SHEET 1 OF 1

DO NOT SCALE DRAWING