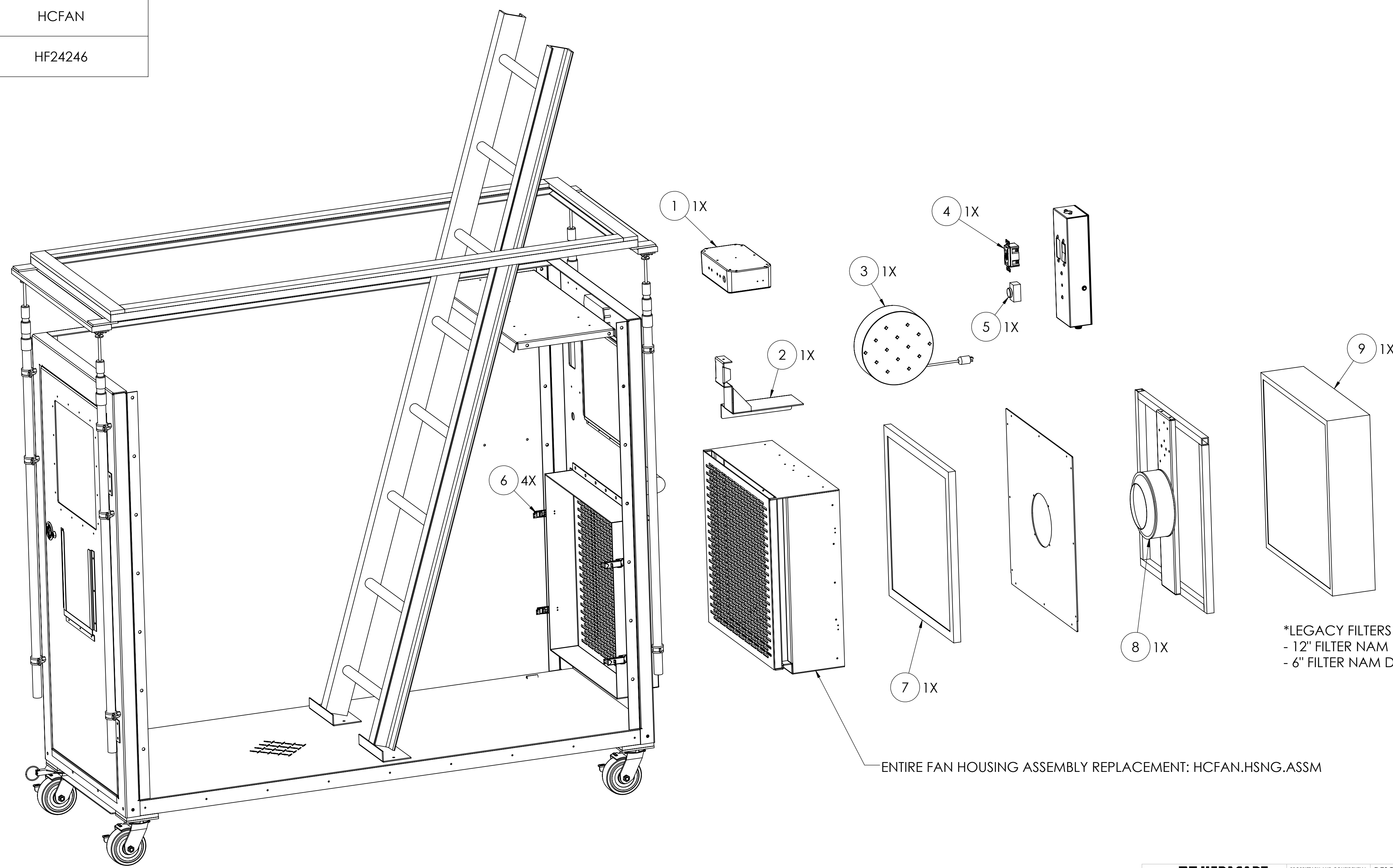


ITEM	DESCRIPTION	CATALOG NUMBER
1	HALO POWER SUPPLY	RHPS-C, RHPS-A
2	CORD REEL BRACKET	CRB
3	CORD REEL	CR
4	GFCI REPLACEMENT KIT	GFCIRK
5	SPEED CONTROLLER	VFSC
6	NAM LATCH & CLASP	NLC
7	MERV 8 PRE-FILTER	PF24241
8	REPLACEMENT FAN	HCFAN
9	99.99% HEPA	HF24246

CAN BE SOLD AS A 4-PACK: NAMFL

REVISIONS			
ZONE	REV.	DESCRIPTION	DATE
	A	1. VERSION 2021.1 - NEW RELEASE	5/5/2021
	B	1. VERSION 2022.1 - UPDATED SKUS TO MATCH CHANGED HUBSPOT SKUS.	4/15/2022



ENTIRE FAN HOUSING ASSEMBLY REPLACEMENT: HCFAN.HSNG.ASSM

*LEGACY FILTERS COULD HAVE 12" DEEP HEPA
 - 12" FILTER NAM DEPTH = 20"
 - 6" FILTER NAM DEPTH = 14"

	<small>UNLESS OTHERWISE SPECIFIED DIMENSIONS ARE IN INCHES DIMENSIONS IN ()S ARE MM TOLERANCE ON DIMENSIONS:</small> <small>IN SHEET METAL MM</small> <small>X.X: ± 0.060 FEATURES FROM BEND X.X: ± 1.5</small> <small>X.XX: ± 0.030 ± 0.030 X.XX: ± 0.75</small> <small>X.XXX: ± 0.010 ± 0.030 X.XXX: ± 0.25</small> <small>FRACTIONAL: 1/16 ANGLE: ± 1°</small>	<small>PROPRIETARY AND CONFIDENTIAL THE INFORMATION CONTAINED IN THIS DRAWING IS THE SOLE PROPERTY OF HEPACART INC. ANY REPRODUCTION IN PART OR AS A WHOLE WITHOUT THE WRITTEN PERMISSION OF HEPACART INC IS PROHIBITED.</small> <small>INTERPRET GEOMETRIC TOLERANCING PER: ASME Y14.5</small> <small>MATERIAL N/A</small> <small>FINISH N/A</small>	<small>DESCRIPTION: HEPACART EXPLODED DIAGRAM - NAM AND ELECTRICAL</small>		<small>TITLE:</small> REPLACEMENT CHART
			<small>DRAWN:</small> JAKECHAPP <small>CHECKED:</small> <small>ENG APPR.:</small> <small>MFG APPR.:</small> <small>G.A.:</small>	<small>NAME:</small> <small>DATE:</small> 5/5/2021 <small>REV:</small> B <small>SCALE:</small> 1:8 <small>WEIGHT:</small>	<small>SIZE DWG. NO.:</small> D -